

Купити це та інше охоронне обладнання можна на сайті [pipl.ua](http://pipl.ua). Оформити замовлення: [order@pipl.ua](mailto:order@pipl.ua)

## DS-2CD2143G2-I(S) 4 MP AcuSense Fixed Dome Network Camera

### AcuSense



Empowered by deep learning algorithms, Hikvision AcuSense technology brings human and vehicle targets classification alarms to front- and back-end devices. The system focuses on human and vehicle targets, vastly improving alarm efficiency and effectiveness.

- High quality imaging with 4 MP resolution
- Clear imaging against strong backlight due to 120 dB WDR technology
- Efficient H.265+ compression technology
- Water and dust resistant (IP67) and vandal resistant (IK10)
- Focus on human and vehicle targets classification based on deep learning



**▪ Specification**

<b>Camera</b>	
Image Sensor	1/3" Progressive Scan CMOS
Min. Illumination	Color: 0.005 Lux @ (F1.6, AGC ON), 0 Lux with IR on
Shutter Speed	1/3 s to 1/100,000 s
Slow Shutter	Yes
P/N	P/N
Wide Dynamic Range	120 dB
Day & Night	ICR Cut
Angle Adjustment	Pan: 0° to 355°, tilt: 0° to 75°, rotate: 0° to 355°
<b>Lens</b>	
Lens Type & FOV	2.8 mm, horizontal FOV 103°, vertical FOV 55°, diagonal FOV 122° 4 mm, horizontal FOV 84°, vertical FOV 45°, diagonal FOV 100°
Aperture	F1.6
Lens Mount	M12
<b>DORI</b>	
DORI	2.8 mm: D: 67 m, O: 26 m, R: 13 m, I: 6 m 4 mm: D: 80 m, O: 31 m, R: 16 m, I: 8 m
<b>Illuminator</b>	
IR Range	Up to 30 m
Wavelength	850 nm
<b>Video</b>	
Max. Resolution	2688 × 1520
Main Stream	50Hz: 25 fps (2688 × 1520, 1920 × 1080, 1280 × 720) 60Hz: 30 fps (2688 × 1520, 1920 × 1080, 1280 × 720)
Sub Stream	50Hz: 25 fps (640 × 480, 640 × 360) 60Hz: 30 fps (640 × 480, 640 × 360)
Third Stream	50Hz: 25 fps (1280 × 720, 640 × 480, 640 × 360) 60Hz: 30 fps (1280 × 720, 640 × 480, 640 × 360)
Video Compression	Main stream: H.265/H.264/H.264+/H.265+ Sub-stream: H.265/H.264/MJPEG Third stream: H.265/H.264
Video Bit Rate	32 Kbps to 8 Mbps
H.264 Type	Baseline Profile/Main Profile/High Profile
H.265 Type	Main Profile
H.264+	Main Stream supports
H.265+	Main Stream supports
Bit Rate Control	CBR/VBR
Scalable Video Coding (SVC)	Yes
Region of Interest (ROI)	1 fixed region for main stream and sub-stream
<b>Audio</b>	
Environment Noise Filtering	-S: Yes
Audio Sampling Rate	-S: 8 kHz/16 kHz/32 kHz/44.1 kHz/48 kHz
Audio Compression	-S: G.711ulaw/G.711alaw/G.722.1/G.726/MP2L2/PCM/MP3/AAC

Audio Bit Rate	-S: 64Kbps(G.711ulaw/G.711alaw)/16Kbps(G.722.1)/16Kbps(G.726)/16Kbps-64Kbps(AAC) /32-192Kbps(MP2L2)/8-320Kbps(MP3)
<b>Network</b>	
Simultaneous Live View	Up to 6 channels
API	Open Network Video Interface (Profile S, Profile G), ISAPI, SDK
Protocols	TCP/IP, ICMP, HTTP, HTTPS, FTP, DHCP, DNS, DDNS, RTP, RTSP, NTP, UPnP, SMTP, IGMP, 802.1X, QoS, IPv6, UDP, Bonjour, SSL/TLS, PPPoE
User/Host	Up to 32 users. 3 user levels: administrator, operator and user
Security	Password protection, complicated password, HTTPS encryption, IP address filter, Security Audit Log, basic and digest authentication for HTTP/HTTPS, TLS 1.1/1.2, WSSE and digest authentication for Open Network Video Interface
Network Storage	MicroSD/SDHC/SDXC card (256 GB) local storage, and NAS(NFS, SMB/CIFS), auto network replenishment (ANR)
Client	iVMS-4200, Hik-Connect, Hik-Central
Web Browser	Plug-in required live view: IE 10, IE 11 Plug-in free live view : Chrome 57.0+, Firefox 52.0+ Local service: Chrome 57.0+, Firefox 52.0+
<b>Image</b>	
Day/Night Switch	Day, Night, Auto, Schedule
Image Enhancement	BLC, HLC, 3D DNR
Image Parameters Switch	Yes
Image Settings	Rotate, mirror, privacy mask, saturation, brightness, contrast, sharpness, gain, white balance adjustable by client software or web browser
<b>Interface</b>	
Audio	-S: 1 input (line in), two-core terminal block , max. input amplitude: 3.3 vpp, input impedance: 4.7 K $\Omega$ , interface type: non-equilibrium; 1 output (line out), two-core terminal block , max.output amplitude: 3.3 vpp, output impedance: 100 $\Omega$ , interface type: non-equilibrium, mono sound
Alarm	-S: 1 input, 1 output (max. 12 VDC, 30 mA)
On-board Storage	Built-in micro SD, up to 256 GB
Hardware Reset	Yes
Communication Interface	1 RJ45 10M/100M self-adaptive Ethernet port
<b>Event</b>	
Basic Event	Motion detection (human and vehicle targets classification), video tampering alarm, exception
Face Detection	Yes
<b>Deep Learning Function</b>	
Perimeter Protection	Line crossing detection, intrusion detection Supports human and vehicle targets classification
<b>General</b>	
Linkage Method	Upload to FTP/memory card/NAS, notify surveillance center, trigger record, trigger capture, Email

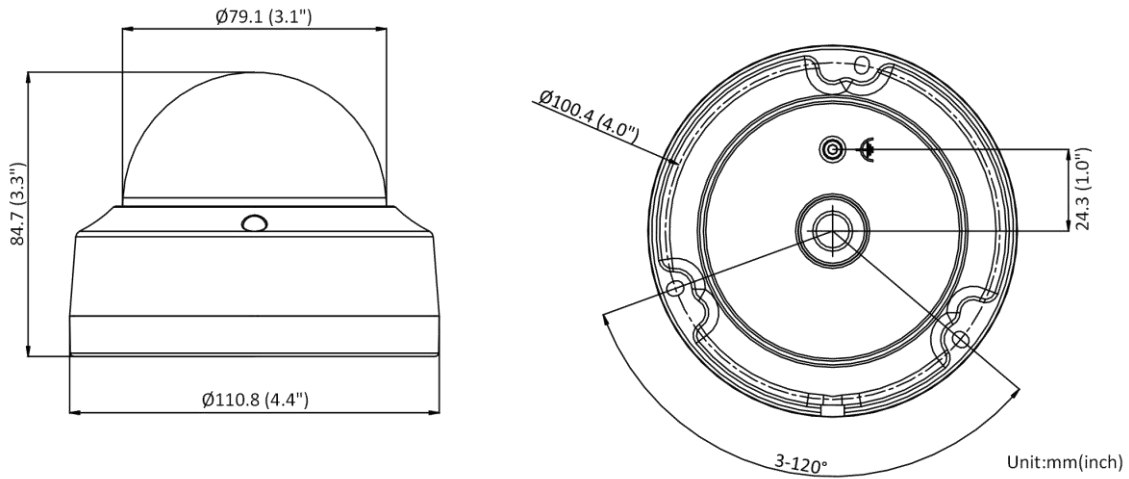
Web Client Language	33 languages English, Russian, Estonian, Bulgarian, Hungarian, Greek, German, Italian, Czech, Slovak, French, Polish, Dutch, Portuguese, Spanish, Romanian, Danish, Swedish, Norwegian, Finnish, Croatian, Slovenian, Serbian, Turkish, Korean, Traditional Chinese, Thai, Vietnamese, Japanese, Latvian, Lithuanian, Portuguese (Brazil), Ukrainian
General Function	Anti-flicker, heartbeat, password reset via e-mail, pixel counter
Storage Conditions	-30 °C to 60 °C (-22 °F to 140 °F). Humidity 95% or less (non-condensing)
Startup and Operating Conditions	-30 °C to 60 °C (-22 °F to 140 °F). Humidity 95% or less (non-condensing)
Power Supply	12 VDC ± 25%, reverse polarity protection PoE: 802.3af, Class 3
Power Consumption and Current	12 VDC, 0.4 A, max. 5 W PoE (802.3af, 36 V to 57 V), 0.2 A to 0.15 A, max. 6.5 W
Power Interface	Ø5.5 mm coaxial power plug
Material	Aluminum alloy body Bubble: plastic
Screw Material	SUS304
Camera Dimension	Ø110.8 × 84.7 mm (Ø4.4" × 3.3")
Package Dimension	134 × 134 × 108 mm (5.3" × 5.3" × 4.3")
Camera Weight	Approx. 530 g (1.2 lb.)
With Package Weight	Approx. 720 g (1.6 lb.)
<b>Approval</b>	
EMC	FCC (47 CFR Part 15, Subpart B); CE-EMC (EN 55032: 2015, EN 61000-3-2: 2014, EN 61000-3-3: 2013, EN 50130-4: 2011 +A1: 2014); RCM (AS/NZS CISPR 32: 2015); IC (ICES-003: Issue 6, 2016); KC (KN 32: 2015, KN 35: 2015)
Safety	UL (UL 60950-1); CB (IEC 60950-1:2005 + Am 1:2009 + Am 2:2013); CE-LVD (EN 60950-1:2005 + Am 1:2009 + Am 2:2013); BIS (IS 13252(Part 1):2010+A1:2013+A2:2015)
Environment	CE-RoHS (2011/65/EU); WEEE (2012/19/EU); Reach (Regulation (EC) No 1907/2006)
Protection	IP67 (IEC 60529-2013), IK10 (IEC 62262: 2002)

#### ▪ Available Model

DS-2CD2143G2-I (2.8/4 mm)

DS-2CD2143G2-IS(2.8/4 mm)

▪ Dimension



▪ Accessory

▪ Optional

DS-1280ZJ-DM18 Junction Box	DS-1250ZJ Rain Shade	DS-1259ZJ Inclined Ceiling Mount	DS-1272ZJ-110 Wall Mount	DS-1272ZJ-110B Wall Mount
				
DS-1276ZJ-SUS Corner Mount	DS-1258ZJ Wall Mount	DS-1275ZJ-SUS Vertical Pole Mount	DS-1271ZJ-110 Pendant Mount	
				

Distributed by



## HIKVISION®

### Headquarters

No.555 Qianmo Road, Binjiang District,  
Hangzhou 310051, China  
T +86-571-8807-5998  
[overseasbusiness@hikvision.com](mailto:overseasbusiness@hikvision.com)

**Hikvision USA**  
T +1-909-895-0400  
[sales.usa@hikvision.com](mailto:sales.usa@hikvision.com)

**Hikvision Australia**  
T +61-2-8599-4233  
[salesau@hikvision.com](mailto:salesau@hikvision.com)

**Hikvision India**  
T +91-22-28469900  
[sales@pramahikvision.com](mailto:sales@pramahikvision.com)

**Hikvision Canada**  
T +1-866-200-6690  
[sales.canada@hikvision.com](mailto:sales.canada@hikvision.com)

**Hikvision Thailand**  
T +662-275-9949  
[sales.thailand@hikvision.com](mailto:sales.thailand@hikvision.com)

**Hikvision Europe**  
T +31-23-5542770  
[sales.eu@hikvision.com](mailto:sales.eu@hikvision.com)

**Hikvision Italy**  
T +39-0438-6902  
[info.it@hikvision.com](mailto:info.it@hikvision.com)

**Hikvision Brazil**  
T +55 11 3318-0950  
[Latam.support@hikvision.com](mailto:Latam.support@hikvision.com)

**Hikvision Turkey**  
T +90 (216)521 7070- 7074  
[sales.tr@hikvision.com](mailto:sales.tr@hikvision.com)

**Hikvision Malaysia**  
T +601-7652-2413  
[sales.my@hikvision.com](mailto:sales.my@hikvision.com)

**Hikvision UK & Ireland**  
T +01628-902140  
[sales.uk@hikvision.com](mailto:sales.uk@hikvision.com)

**Hikvision South Africa**  
Tel: +27 (10) 0351172  
[sale.africa@hikvision.com](mailto:sale.africa@hikvision.com)

**Hikvision France**  
T +33(0)1-85-330-450  
[info.fr@hikvision.com](mailto:info.fr@hikvision.com)

**Hikvision Kazakhstan**  
T +7-727-9730667  
[nikia.panfilov@hikvision.ru](mailto:nikia.panfilov@hikvision.ru)

**Hikvision Vietnam**  
T +84-974270888  
[sales.vt@hikvision.com](mailto:sales.vt@hikvision.com)

**Hikvision UAE**  
T +971-4-4432090  
[salesme@hikvision.com](mailto:salesme@hikvision.com)

**Hikvision Singapore**  
T +65-6684-4718  
[sg@hikvision.com](mailto:sg@hikvision.com)

**Hikvision Spain**  
T +34-91-737-16-55  
[info.es@hikvision.com](mailto:info.es@hikvision.com)

**Hikvision Tashkent**  
T +99-87-1238-9438  
[uzb@hikvision.ru](mailto:uzb@hikvision.ru)

**Hikvision Hong Kong**  
T +852-2151-1761  
[info.hk@hikvision.com](mailto:info.hk@hikvision.com)

**Hikvision Russia**  
T +7-495-669-67-99  
[saleru@hikvision.com](mailto:saleru@hikvision.com)

**Hikvision Korea**  
T +82-[0]31-731-8817  
[sales.korea@hikvision.com](mailto:sales.korea@hikvision.com)

**Hikvision Poland**  
T +48-22-460-01-50  
[info.pl@hikvision.com](mailto:info.pl@hikvision.com)

**Hikvision Indonesia**  
T +62-21-2933759  
[Sales.Indonesia@hikvision.com](mailto:Sales.Indonesia@hikvision.com)

**Hikvision Colombia**  
[sales.colombia@hikvision.com](mailto:sales.colombia@hikvision.com)