

Купити це та інші охоронне обладнання можна на сайті [ripl.ua](http://ripl.ua). Оформити замовлення: [order@ripl.ua](mailto:order@ripl.ua)

## DS-2CE76H0T-ITMF(C) 5 MP Camera



- 5 MP, 2560 × 1944 resolution
- 2.4 mm, 2.8 mm, 3.6 mm, 6 mm fixed focal lens
- Smart IR, up to 30 m IR distance
- 4 in 1 video output (switchable TVI/AHD/CVI/CVBS)
- IP67



## Specification

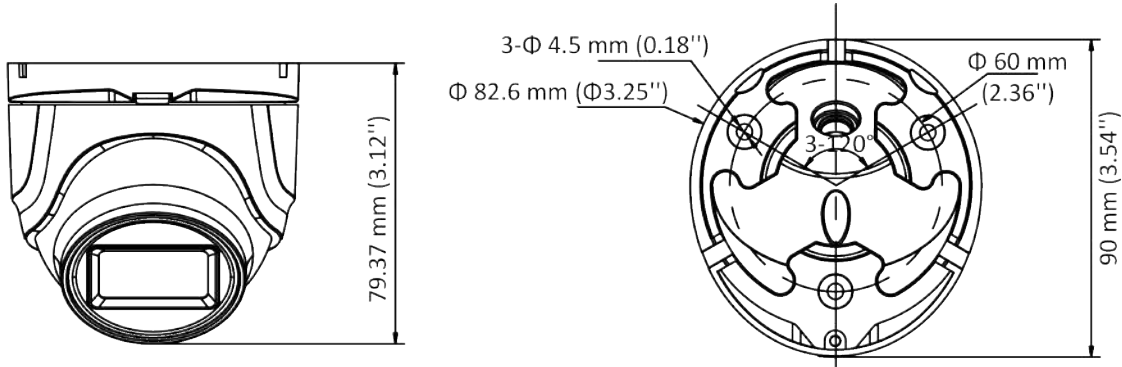
| Camera                   |  |
|--------------------------|--|
| Image Sensor             | 5 MP CMOS  |
| Signal System            | PAL/NTSC   |
| Resolution               | 2560 (H) × 1944 (V)  |
| Frame Rate               | TVI: 5M@20fps, 4M@30fps, 4M@25fps, 1080p@30fps, 1080p@25fps<br>AHD: 5M@20fps, 4M@30fps, 4M@25fps<br>CVI: 4M@30fps, 4M@25fps<br>CVBS: PAL/NTSC  |
| Min. illumination        | 0.01 Lux@(F1.2, AGC ON), 0 Lux with IR   |
| Shutter Time             | PAL: 1/25 s to 1/50, 000 s<br>NTSC: 1/30 s to 1/50, 000 s  |
| Lens                     | 2.4 mm, 2.8 mm, 3.6 mm, 6 mm fixed lens  |
| Field of View            | 2.4 mm, horizontal FOV: 110°, vertical FOV: 81°, diagonal FOV:137°<br>2.8 mm, horizontal FOV: 85°, vertical FOV: 63°, diagonal FOV:110°<br>3.6 mm, horizontal FOV: 80°, vertical FOV: 63°, diagonal FOV:105°<br>6 mm, horizontal FOV: 57°, vertical FOV: 43°, diagonal FOV:72° |
| Lens Mount               | M12  |
| Day & Night              | ICR  |
| WDR (Wide Dynamic Range) | Digital WDR  |
| Angle Adjustment         | Pan: 0 to 360°, Tilt: 0 to 75°, Rotation: 0 to 360°  |
| Menu                     |  |
| Image Mode               | STD/HIGH-SAT   |
| AGC                      | Yes  |
| Day/Night Mode           | Auto/Color/BW (Black and White)  |
| White Balance            | Auto/Manual  |
| AE (Auto Exposure) Mode  | DWDR/BLC/HLC/Global  |
| Noise Reduction          | 2D DNR   |
| Language                 | English  |
| Function                 | Brightness, Sharpness, Mirror, Smart IR  |
| Interface                |  |
| Video Output             | Switchable TVI/AHD/CVI/CVBS  |
| General                  |  |
| Operating Conditions     | -40 °C to 60 °C (-40 °F to 140 °F), humidity 90% or less (non-condensing)  |
| Power Supply             | 12 VDC ± 25%   |
| Power Consumption        | Max. 4.3 W   |
| Protection Level         | IP67   |
| Material                 | Metal  |
| IR Range                 | Up to 30 m   |

| General       |  |
|---------------|--|
| Communication | HIKVISION-C  |
| Dimensions    | Φ 82.6 mm × 90 mm × 79.37 mm (Φ 3.25" × 3.54" × 3.12") |
| Weight        | Approx. 289 g (0.64 lb.)                               |

### Available Model

DS-2CE76H0T-ITMF(C)

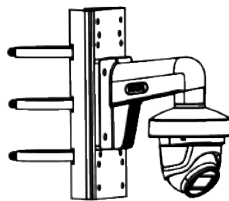
### Dimension



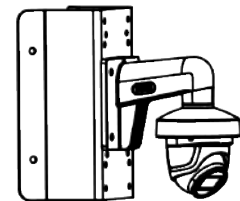
### Accessory



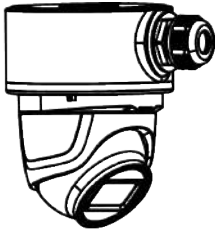
**DS-1272ZJ-110-TRS**  
Wall Mount



**DS-1275ZJ-SUS**  
Vertical Pole Mount

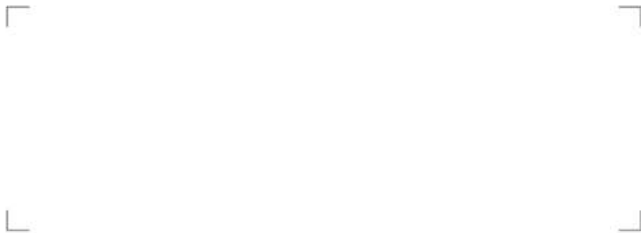


**DS-1276ZJ-SUS**  
Corner Mount



**DS-1280ZJ-XS**  
**Junction Box**

Distributed by



**HIKVISION**

**Headquarters**

No.555 Qianmo Road, Binjiang District,  
Hangzhou 310051, China  
T +86-571-8807-5998  
[overseasbusiness@hikvision.com](mailto:overseasbusiness@hikvision.com)

**Hikvision USA**  
T +1-909-895-0400  
[sales.usa@hikvision.com](mailto:sales.usa@hikvision.com)

**Hikvision Australia**  
T +61-2-8599-4233  
[salesau@hikvision.com](mailto:salesau@hikvision.com)

**Hikvision India**  
T +91-22-28469900  
[sales@pramahikvision.com](mailto:sales@pramahikvision.com)

**Hikvision Canada**  
T +1-866-200-6690  
[sales.canada@hikvision.com](mailto:sales.canada@hikvision.com)

**Hikvision Thailand**  
T +662-275-9949  
[sales.thailand@hikvision.com](mailto:sales.thailand@hikvision.com)

**Hikvision Europe**  
T +31-23-5542770  
[sales.eu@hikvision.com](mailto:sales.eu@hikvision.com)

**Hikvision Italy**  
T +39-0438-6902  
[info.it@hikvision.com](mailto:info.it@hikvision.com)

**Hikvision Brazil**  
T +55 11 3318-0050  
[Latam.support@hikvision.com](mailto:Latam.support@hikvision.com)

**Hikvision Turkey**  
T +90 [216]521 7070- 7074  
[sales.tr@hikvision.com](mailto:sales.tr@hikvision.com)

**Hikvision Malaysia**  
T +601-7652-2413  
[sales.my@hikvision.com](mailto:sales.my@hikvision.com)

**Hikvision UK & Ireland**  
T +01628-902140  
[sales.uk@hikvision.com](mailto:sales.uk@hikvision.com)

**Hikvision South Africa**  
Tel: +27 (10) 0351172  
[sale.africa@hikvision.com](mailto:sale.africa@hikvision.com)

**Hikvision France**  
T +33(0)1-85-330-450  
[info.fr@hikvision.com](mailto:info.fr@hikvision.com)

**Hikvision Kazakhstan**  
T +7-727-9730667  
[nikia.panfilov@hikvision.ru](mailto:nikia.panfilov@hikvision.ru)

**Hikvision Vietnam**  
T +84-974270888  
[sales.vt@hikvision.com](mailto:sales.vt@hikvision.com)

**Hikvision UAE**  
T +971-4-4432090  
[salesme@hikvision.com](mailto:salesme@hikvision.com)

**Hikvision Singapore**  
T +65-6684-4718  
[sg@hikvision.com](mailto:sg@hikvision.com)

**Hikvision Spain**  
T +34-91-737-16-55  
[info.es@hikvision.com](mailto:info.es@hikvision.com)

**Hikvision Tashkent**  
T +99-87-1238-9438  
[uzb@hikvision.ru](mailto:uzb@hikvision.ru)

**Hikvision Hong Kong**  
T +852-2151-1761  
[info.hk@hikvision.com](mailto:info.hk@hikvision.com)

**Hikvision Russia**  
T +7-495-669-67-99  
[saleru@hikvision.com](mailto:saleru@hikvision.com)

**Hikvision Korea**  
T +82-(0)31-731-8817  
[sales.korea@hikvision.com](mailto:sales.korea@hikvision.com)

**Hikvision Poland**  
T +48-22-460-01-50  
[info.pl@hikvision.com](mailto:info.pl@hikvision.com)

**Hikvision Indonesia**  
T +62-21-2933759  
[Sales.Indonesia@hikvision.com](mailto:Sales.Indonesia@hikvision.com)

**Hikvision Colombia**  
[sales.colombia@hikvision.com](mailto:sales.colombia@hikvision.com)