

## DS-2TD2117-10/PA Thermal Network Bullet Camera

DeepinView<sup>series</sup>



Hikvision DS-2TD2117-10/PA Thermal Network Bullet Camera, equipped with built-in GPU which supports intelligent behavior analysis algorithm, can realize high-precision VCA detection and real-time alarm. It is applied to perimeter protection and fire prevention purposes in commercial facilities such as residential, retail, villa, parking lot, museum, data centers and so on. The pre-alarm system helps you discover unexpected events immediately and protects your property.

### Key Feature

- Behavior analysis function, based on deep learning algorithm: line crossing, intrusion, region entrance & exit
- Temperature exception alarm
- Fire detection algorithm
- 160 × 120 (the resolution of output image is 320 × 240) resolution 17 μm, VOx UFPA, NETD ≤ 40 mK (25 °C, F# = 1.1)
- Image processing technology: Liner, histogram, and self-adaptive thermal AGC mode, DDE, 3D DNR



## Specification

| Thermal Module                                 |  |
|--|--|
| Image Sensor                                   | Vanadium Oxide Uncooled Focal Plane Arrays   |
| Resolution                                     | 160 × 120 (the resolution of output image is 320 × 240)  |
| Pixel Interval                                 | 17 μm  |
| Response Waveband                              | 8 μm to 14 μm  |
| NETD (Noise Equivalent Temperature Difference) | ≤ 40 mK (25 °C, F# = 1.1)  |
| Focal Length                                   | 9.7 mm   |
| IFOV   | 1.75 mrad  |
| Field of View                                  | 15.96° × 12° (H × V)   |
| Min. Focusing Distance                         | 1.2 m  |
| Aperture                                       | F 1.1  |
| Digital Zoom                                   | ×2, ×4, ×8   |
| Image Effect                                   |  |
| Target Coloration                              | Yes. Supported in white hot and black hot mode.  |
| Audible and Visual Alarm                       |  |
| White Light Range                              | Up to 40 m   |
| Visual Alarm                                   | Yes. White light used as the visual alarm, flashing frequency adjustable   |
| Audio alarm                                    | Yes. 6 audio alarms are supported to cover all kinds of alarm.   |
| Smart Function                                 |  |
| VCA (Video Content Analysis)                   | 4 VCA rule types (line crossing, intrusion, region entrance, and region exiting), up to 8 VCA rules in total.                  |
| Temperature Measurement                        | 3 temperature measurement rule types, 21 rules in total (10 points, 10 regions, and 1 line).                                   |
| Temperature Range                              | -20 °C to 150 °C (-4 °F to 302 °F)   |
| Temperature Accuracy                           | ± 8 °C (14.4 °F)   |
| Fire Detection                                 | Dynamic fire detection, up to 10 fire points detectable.   |
| Video & Audio                                  |  |
| Main Stream                                    | 25 fps (1280 × 720, 704 × 576, 640 × 480, 352 × 288, 320 × 240)  |
| Sub-stream                                     | 25 fps (704 × 576, 352 × 288, 320 × 240)   |
| Third Stream                                   | 25 fps (1280 × 720, 704 × 576, 352 × 288, 320 × 240)   |
| Video Compression                              | Main Stream: H.265/H.264<br>Sub-Stream: H.265/H.264/MJPEG<br>Third Stream: H.265/H.264/MJPEG                                   |
| Audio Compression                              | G.711u/G.711a/G.722.1/MP2L2/G.726/PCM  |
| Network  |  |
| Protocols                                      | IPv4/IPv6, HTTP, HTTPS, 802.1x, Qos, FTP, SMTP, UPnP, SNMP, DNS, DDNS, NTP, RTSP, RTCP, RTP, TCP, UDP, IGMP, ICMP, DHCP, PPPoE |

|                              |  |
|------------------------------|--|
| Network Storage              | MicroSD/SDHC/SDXC card (up to 256 G) local storage, and NAS (NFS, SMB/CIFS), auto network replenishment (ANR)  |
| API                          | ISAPI, HIKVISION SDK, third-party management platform, ONVIF (Profile S, Profile G, Profile T)   |
| Simultaneous Live View       | Up to 20 channels  |
| User/Host Level              | Up to 32 users, 3 levels: Administrator, Operator, User  |
| Security                     | User authentication (ID and PW), MAC address binding, HTTPS encryption, IEEE 802.1x(EAP-MD5, EAP-TLS), access control, IP address filtering  |
| Client                       | iVMS-4200, Hik-Connect   |
| Web Browser                  | Live view (plug-in allowed) : Internet Explorer 11<br>Live view (plug-in free) : Chrome 57.0 +, Firefox 52.0 +<br>Local service : Chrome 57.0+, Firefox 52.0 +   |
| <b>Interface</b>             |  |
| Alarm Input                  | 2-ch inputs (0-5 VDC)  |
| Alarm Output                 | 2-ch relay outputs, alarm response actions configurable  |
| Alarm Action                 | SD card record/relay output/smart capture/FTP upload/email linkage /audio alarm/white light alarm  |
| Audio Input                  | 1, 3.5 mm Mic in/Line in interface<br>Line input: 2-2.4 V [p-p], output impedance: 1 K $\Omega$ $\pm$ 10%  |
| Audio Output                 | Linear level, impedance: 600 $\Omega$  |
| Communication Interface      | 1, RJ45 10 M/100 M self-adaptive Ethernet interface<br>1, RS-485 interface   |
| <b>General</b>               |  |
| Menu Language                | 32 languages<br>English, Russian, Estonian, Bulgarian, Hungarian, Greek, German, Italian, Czech, Slovak, French, Polish, Dutch, Portuguese, Spanish, Romanian, Danish, Swedish, Norwegian, Finnish, Croatian, Slovenian, Serbian, Turkish, Korean, Traditional Chinese, Thai, Vietnamese, Japanese, Latvian, Lithuanian, Portuguese (Brazil) |
| Power                        | 12 VDC $\pm$ 20%, two-core terminal block<br>PoE (802.3af, class 3)  |
| Power Consumption            | 12 VDC $\pm$ 20%: 0.4 A, max. 4.5 W<br>PoE (802.3af, class 3): 42.5 V to 57 V, 0.14 A to 0.22 A, max. 5 W  |
| Working Temperature/Humidity | -40 $^{\circ}$ C to 65 $^{\circ}$ C (-40 $^{\circ}$ F to 149 $^{\circ}$ F)<br>95% or less  |
| Protection Level             | IP66 Standard<br>TVS 6000V lightning protection, surge protection, voltage transient protection  |
| Dimensions                   | 358.3 mm $\times$ 113.5 mm $\times$ 115.2 mm (14.10" $\times$ 4.47" $\times$ 4.53")  |
| Weight                       | Approx. 1.71 kg (3.77 lb)  |

## DRI Range Table

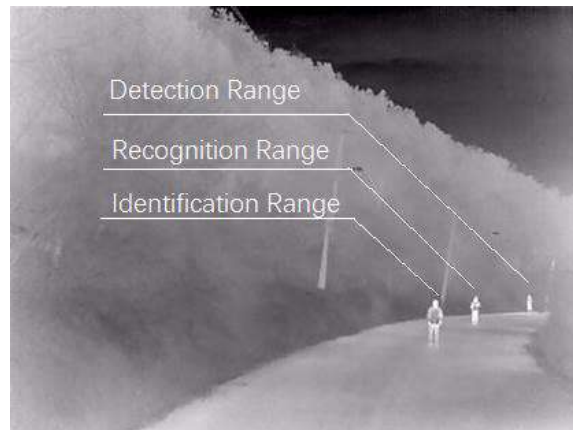
\* The table is only for reference and the performance may vary according to different environment.

\* The optimal human detection, recognition, and identification distances are calculated according to Johnson's Criteria.

Detection Range: In order to distinguish an object from the background, the object must be covered by 1.5 or more pixels.

Recognition Range: In order to classify the object (animal, human, vehicle, etc.), the object must be covered by 6 or more pixels.

Identification Range: In order to identify the object and describe it in details, the object must be covered by 12 or more pixels.



| Detection Range<br>(Vehicles: 1.4 × 4.0 m) | Detection Range<br>(Humans: 1.8 × 0.5 m) | Recognition<br>Range (Vehicles:<br>1.4 × 4.0 m) | Recognition<br>Range (Humans:<br>1.8 × 0.5 m) | Identification<br>Range (Vehicles:<br>1.4 × 4.0 m) | Identification<br>Range (Humans:<br>1.8 × 0.5 m) |
|--|--|---|---|--|--|
| 875 m                                      | 285 m                                    | 219 m   | 71 m  | 109 m  | 36 m   |

## Smart Function Table

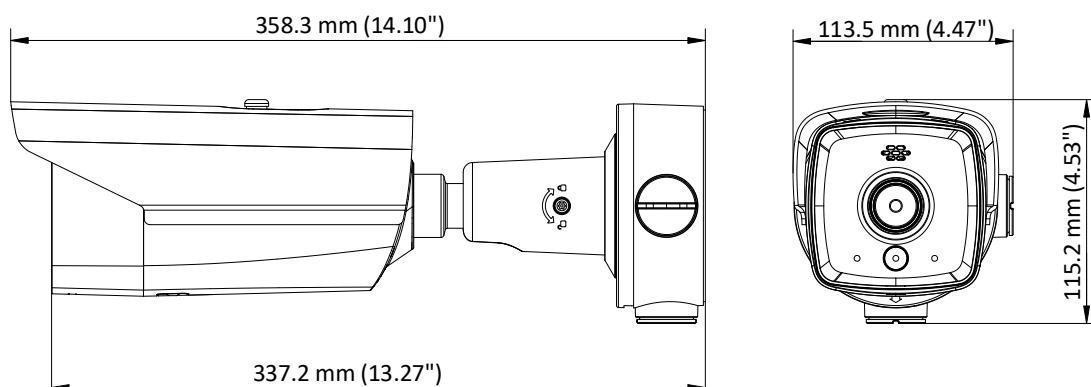
\* The table is only for reference and the performance may vary according to different environment.

| VCA Range<br>(Vehicles: 1.4 × 4.0 m) | VCA Range<br>(Humans: 1.8 × 0.5 m) | Temperature<br>Measurement<br>(Object: 2 × 2 m) | Temperature<br>Measurement<br>(Object: 1 × 1 m) | Fire Detection<br>(Object: 2 × 2 m) | Fire Detection<br>(Object: 1 × 1 m) |
|--------------------------------------|------------------------------------|---|---|-------------------------------------|-------------------------------------|
| 133 m                                | 48 m                               | 235 m   | 118 m   | 588 m                               | 294 m                               |

## Available Model

DS-2TD2117-10/PA

## Dimension



**▪ Accessory**

DS-1275ZJ-S-SUS  
Vertical Pole Mount



DS-1276ZJ-SUS  
Corner Mount

COMPLIANCE NOTICE: The thermal series products might be subject to export controls in various countries or regions, including without limitation, the United States, European Union, United Kingdom and/or other member countries of the Wassenaar Arrangement. Please consult your professional legal or compliance expert or local government authorities for any necessary export license requirements if you intend to transfer, export, re-export the thermal series products between different countries.

Distributed by

**HIKVISION®****Headquarters**

No.555 Qianmo Road, Binjiang District,  
Hangzhou 310051, China  
T +86-571-8807-5998  
overseasbusiness@hikvision.com

**Hikvision USA**  
T +1-909-895-0400  
sales.usa@hikvision.com

**Hikvision Australia**  
T +61-2-8599-4233  
salesau@hikvision.com

**Hikvision India**  
T +91-22-28469900  
sales@pramahikvision.com

**Hikvision Canada**  
T +1-866-200-6690  
sales.canada@hikvision.com

**Hikvision Thailand**  
T +662-275-9949  
sales.thailand@hikvision.com

**Hikvision Europe**  
T +31-23-5542770  
sales.eu@hikvision.com

**Hikvision Italy**  
T +39-0438-6902  
info.it@hikvision.com

**Hikvision Brazil**  
T +55 11 3318-0050  
Latam.support@hikvision.com

**Hikvision Turkey**  
T +90 (216)521 7070- 7074  
sales.tr@hikvision.com

**Hikvision Malaysia**  
T +601-7652-2413  
sales.my@hikvision.com

**Hikvision UK & Ireland**  
T +01628-902140  
sales.uk@hikvision.com

**Hikvision South Africa**  
Tel: +27 (10) 0351172  
sale.africa@hikvision.com

**Hikvision France**  
T +33(0)1-85-330-450  
info.fr@hikvision.com

**Hikvision Kazakhstan**  
T +7-727-9730667  
nikia.panfilov@hikvision.ru

**Hikvision Vietnam**  
T +84-974270888  
sales.vt@hikvision.com

**Hikvision UAE**  
T +971-4-4432090  
salesme@hikvision.com

**Hikvision Singapore**  
T +65-6684-4718  
sg@hikvision.com

**Hikvision Spain**  
T +34-91-737-16-55  
info.es@hikvision.com

**Hikvision Tashkent**  
T +99-87-1238-9438  
uzb@hikvision.ru

**Hikvision Hong Kong**  
T +852-2151-1761  
info.hk@hikvision.com

**Hikvision Russia**  
T +7-495-669-67-99  
saleru@hikvision.com

**Hikvision Korea**  
T +82-1031-731-8817  
sales.korea@hikvision.com

**Hikvision Poland**  
T +48-22-460-01-50  
info.pl@hikvision.com

**Hikvision Indonesia**  
T +62-21-2933759  
Sales.Indonesia@hikvision.com

**Hikvision Colombia**  
sales.colombia@hikvision.com