

DS-KD8003-IME1(B) Surface#EU Modular Door Station



- Modular door station Main unit, needs mounting bracket
- 2MP HD Camera, Fish eye, IR Supplement
- 1 Call physical Button, 2 lock relays, 4-ch alarm input
- Video intercom to indoor station and master station
- WEB Configuration
- IP65, 12 VDC or standard PoE
- Power output for electronic lock, max to 12 V, 500 mA

▪ Specification

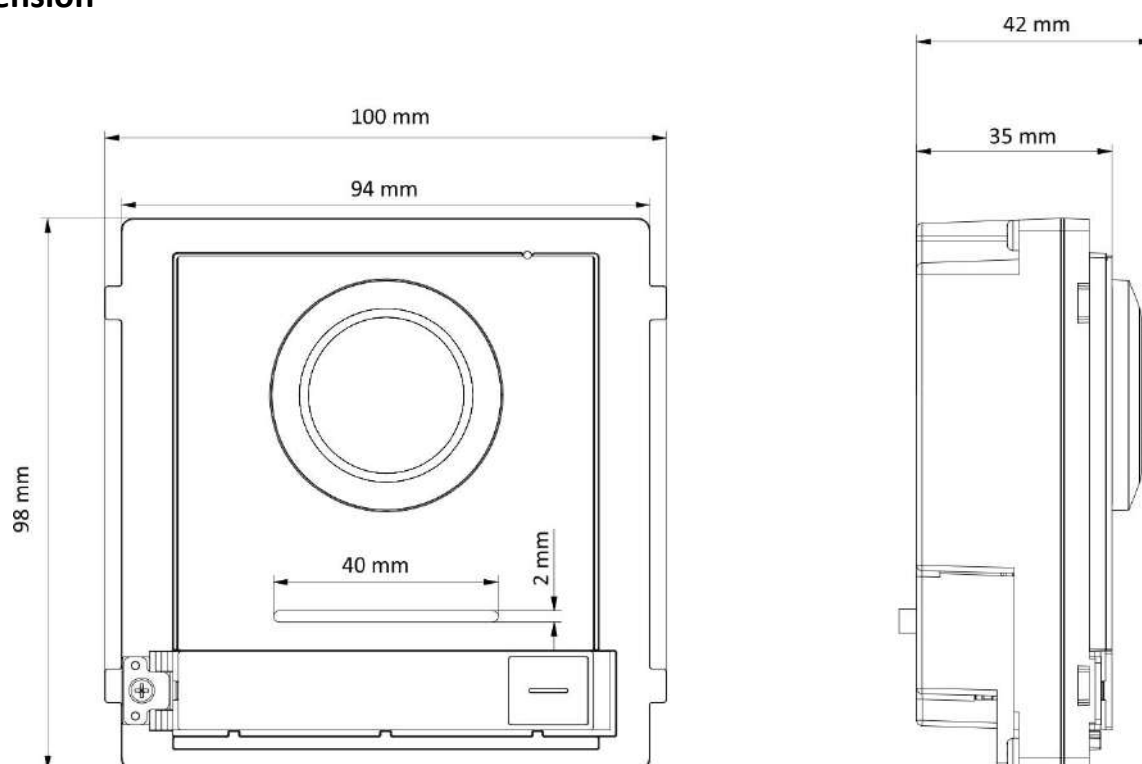
System parameters	
Operating system	Embedded Linux operation system
ROM	32 MB
RAM	256 MB
CPU	Embedded Processor
Display parameters	
Screen size	NA
Operation method	NA
Type	NA
Resolution	NA
Video parameters	
Supplement light	Low illumination, IR supplement lights
Video standard	H.264
Lens	1
FOV	Horizontal: 146°, Vertical: 82°
WDR	Support
Resolution	2 MP
Audio parameters	
Audio input	Built-in omnidirectional microphone
Audio output	Built-in loudspeaker
Audio compression standard	G.711 U, G.711 A
Audio compression bitrate	64 Kbps
Audio quality	Noise suppression and echo cancellation
Volume adjustment	Adjustable
Capacity	
Fingerprint capacity	/
User capacity	2000
Card capacity	6000
Face capacity	NA
Linked indoor station capacity	500
Event capacity	/
Sub door station capacity	16

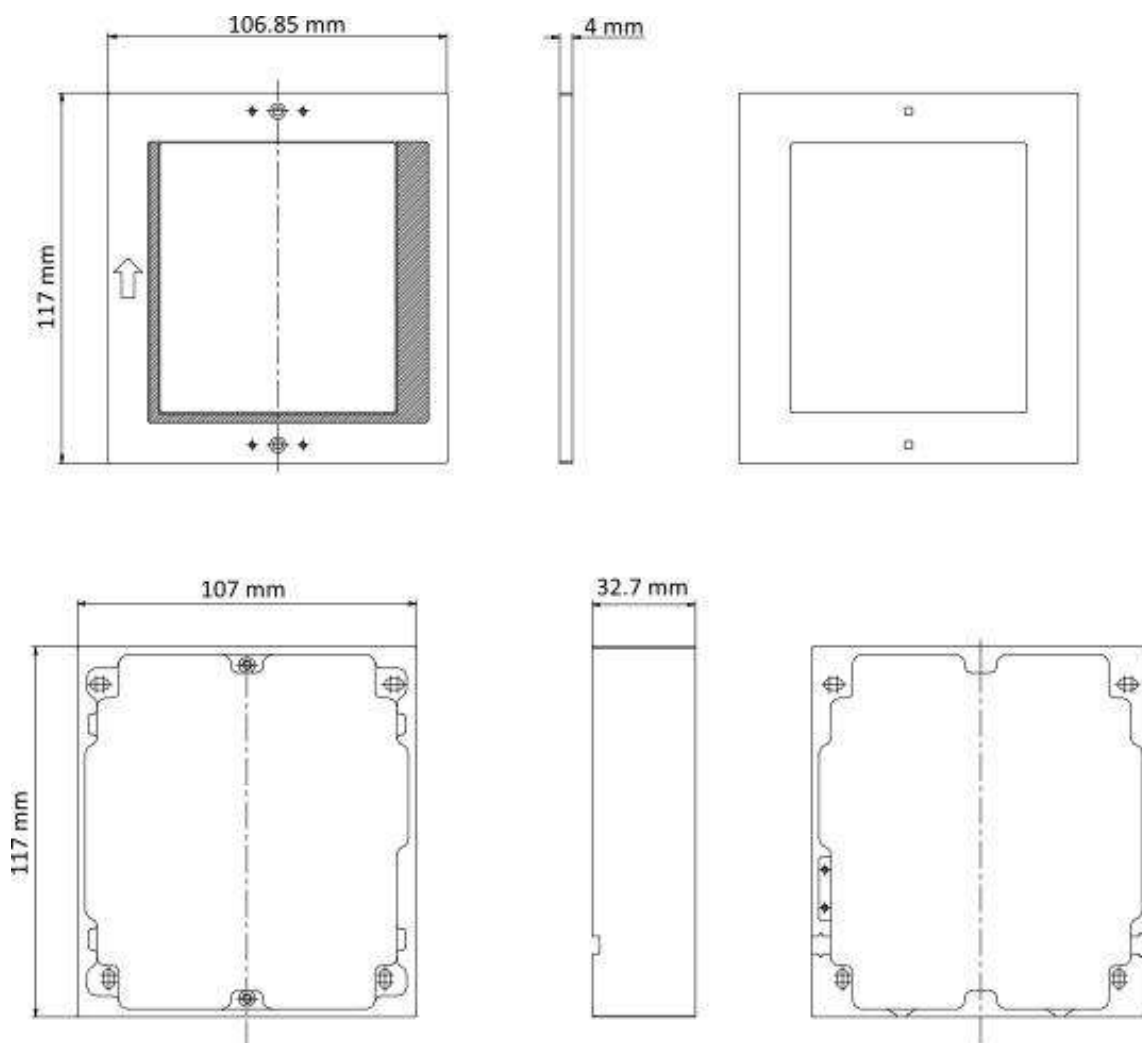
Network parameters	
Communication protocol	TCP/IP, RTSP
Wired network	10/100 Mbps self-adaptive Ethernet
Wi-Fi	NA
Bluetooth	NA
3G/4G	NA
Device interfaces	
Alarm input	4 (2 exit buttons and 2 door contacts by default)
TAMPER	1
Network interface	1 RJ45
Exit button	2 (2 for lock control)
Door contact input	2
RS-485	1 (1 for Hikvision's sub module communication)
Wiegand	NA
TF card	NA
Alarm output	NA
Lock control	2 (2 relay, max to 30 V, 2 A)
USB	NA
Power interface	12 VDC power output (max to 12 V, 500 mA)
Two-wire IP interface	NA
General	
Power supply	12 VDC/PoE (IEEE 802.3af)
Working temperature	-40° C to 60° C (-40° F to 140° F)
Working humidity	10% to 95%
Button	1
Protective level	IP65
Installation	Surface mounting
Dimensions(L × W × H)	Device: 98 mm × 100 mm × 42 mm (3.86" × 3.94" × 1.65") Cover:117 × 107 × 4 mm (4.61" × 4.21" × 0.16") Installation Frame:117 × 107 × 32.7mm (4.61" × 4.21" × 1.29")
Language	English, French, Portuguese, Brazilian Portuguese, Spanish, Russian, German, Italian, Polish, Turkish, Vietnamese, Arabic, Czech, Hungarian, Dutch, Romanian, Bulgarian, Ukrainian, Croatian, Serbian, Greek, Slovak
Indicator	0
Weight	Without package: 0.600 kg With Package: 0.865 kg
Battery	/
Application environment	Outdoor

Power consumption	≤ 5 W
-------------------	------------

▪ Available Model

DS-KD8003-IME1(B)/Surface/Europe BV

▪ Dimension



Headquarters

No.555 Qianmo Road, Binjiang District,
Hangzhou 310051, China
T +86-571-8807-5998
www.hikvision.com



Follow us on social media to get the latest product and solution information.

