

LYNX LC06 Handheld Thermal Monocular Camera



HIKMICRO LC06 handheld thermal monocular camera is equipped with a 160 × 120 infrared detector and a 720 × 540 LCOS display. It supports functions of observation, distance measurement, Wi-Fi hot spot, and so on. The high-sensitivity built-in thermal detector provides you with clear view even in total darkness. The monocular is mainly applied to scenarios such as patrolling, searching and rescuing, hiking, travel, and hunting, etc.

Key Features

- High sensitivity thermal module with 160 x 120 resolution
- NETD < 35 mK (@25 ° C F#=1.1)
- Leading thermal image processing technology: Adaptive AGC, DDE, 3D DNR
- 720 × 540 resolution 0.2-inch LCOS display
- Built-in rechargeable lithium battery
- Up to 10 hours continuous operation
- Wi-Fi hot spot
- Type-C Interface

Specification

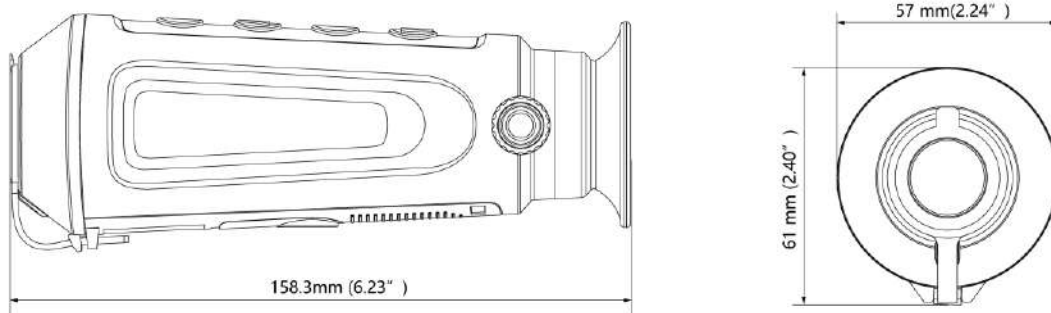
▪ Specification

Thermal Module	
Image Sensor	VOx Uncooled Focal Plane Arrays
Resolution	160 × 120
Frame Frequency	50 Hz
Pixel Interval	17 μm
Response Waveband	8 μm to 14 μm
NETD	≤ 35 mK (@25°C),F#=1.1
Focal Length	6.2 mm
I FOV	2.74 mrad
Field of View	24.7° × 18.7° (H × V)
Aperture	F1.1
Image Display	
Monitor	0.2 inch, LCOS, 720 × 540
Palettes	Black Hot, White Hot, Red Hot, Fusion
FFC (Flat Field Correction) Mode	Auto, Manual, External Correction
Digital Zoom	1 ×, 2 ×, 4 ×
Smart Function	
Hot Track	Yes
Detection Range	219 m
System	
Storage	Built-in memory module (8 GB)
Record Video	Yes
Capture Snapshot	Yes
Wi-Fi	Yes
Standby Mode	Yes
Power Supply	
Battery Type	Rechargeable Lithium Battery
Battery Operating Time	10 hours continuous running with CVBS and Wi-Fi hot spot off (@25°C) 7.5 hours continuous running with CVBS and Wi-Fi hot spot on (@25°C)
Battery Capacity Display	Yes
General	
Power	5 VDC/2 A, 1.5 W, Type-C Interface
Work Temperature/Humidity	From -20 °C to 55 °C (-4 °F to 131 °F); Humidity: 90% or Less
Protection Level	IP67
Dimension	158.3 mm × 61 mm × 57 mm (6.23" × 2.40" × 2.24")
Weight	250 g (0.55 lb)

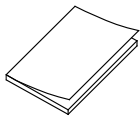
Available Model

HM-TS01-06XF/W-LC06

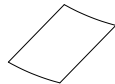
Dimension



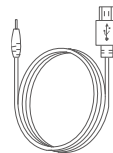
Accessory



Quick Start Guide
(x1)



Non-dust Cloth (x1)



USB Cable (x1)



Protective Bag (x1)



Wrist Strap (x1)

COMPLIANCE NOTICE: The thermal series products might be subject to export controls in various countries or regions, including without limitation, the United States, European Union, United Kingdom and/or other member countries of the Wassenaar Arrangement. Please consult your professional legal or compliance expert or local government authorities for any necessary export license requirements if you intend to transfer, export, re-export the thermal series products between different countries.