

DH-SD4E825GB-HNR-A-PV1

8MP 25X TiOC WizSense Network PTZ Camera



WizSense

Launched by Dahua Technology, WizSense is a series of AI products and solutions that adopt independent AI chip and deep learning algorithm. It focuses on human and vehicle with high accuracy, enabling users to fast act on defined targets. Based on Dahua's advanced technologies, WizSense provides intelligent, simple and inclusive products and solutions.

System Overview

The Three-in-One Camera (TiOC) solution combines 24/7 monitoring, active deterrence and real-time alarms with artificial intelligence into one smart, innovative solution. TiOC PTZ cameras adopt auto-tracking 3.0 technology, greatly improving the monitoring scope of key targets. For distributors and installers, it not only saves time, but also reduces cost.

Functions

Starlight Technology

With advanced image processing technology and optical technology, Dahua Starlight technology can provide clear colorful video in the environment of low illuminance. It widely applies to various environments of low illuminance.

Smart H.265+ & Smart H.264+

With advanced scene-adaptive rate control algorithm, Dahua smart encoding technology realizes the higher encoding efficiency than H.265 and H.264, provides high-quality video, and reduces the cost of storage and transmission.

- 1/2.8" 8Megapixel STARVIS™ CMOS.
- 25x optical zoom.
- Starlight technology.
- Max. 25/30fps@8M.
- IR distance up to 100 m.
- Auto tracking 3.0.
- Perimeter protection.
- Face detection.
- SMD 4.0.
- IP66.
- Full-color illuminator; red and blue warning light.



Perimeter Protection

Automatically filters out false alarms caused by animals, rustling leaves, bright lights, and more, and uses secondary recognition during target detection to improve alarm accuracy.

Face Detection

Supports 6 attributes and 8 expressions: Gender, age, glasses, face mask, beard and expressions (anger, sadness, disgust, fear, surprise, calm, happiness, and confusion). It also supports face cutout settings: Face, and single inch photo. Three snapshot methods are also featured: Real-time snapshot, priority snapshot, and quality priority.

Protection (IP66, TVS 6000 V)

IP66, TVS 6000 V lightning proof, surge protection, and voltage transient protection.

Auto Tracking

This feature controls the pan, tilt and zoom actions of the camera to automatically track an object in motion, to keep it in view of the camera. Tracking can be triggered manually or automatically by defined rules. Once a rule is triggered, the camera can zoom in and track the defined target automatically.

SMD 4.0

Dahua Smart Motion Detection technology works with intelligent algorithms to classify targets that trigger motion detection alarms. It filters out objects that are not targets, such as small and large animals, to avoid triggering false alarms. With an AI NVR, Quick Pick technology becomes available, allowing you to easily search for and pick out human and vehicle targets from SMD event videos, prioritizing the highest matches.

Technical Specification

Camera

Image Sensor	1/2.8" CMOS
Pixel	8 MP
Max. Resolution	3840 (H) × 2160 (V)
ROM	4 GB
RAM	1 GB
Electronic Shutter Speed	1 s–1/30,000 s
Scanning System	Progressive
Min. Illumination	0.005 lux@F1.6 (Color, 30 IRE); 0.0005 lux@F1.6 (B/W, 30 IRE); 0 lux (illuminator on)
Illumination Distance	100 m (328.08 ft) (IR); 50 m (164.04 ft) (White light)
Illuminator On/Off Control	Zoom Prio; Manual; Auto; Off
Illuminator Number	2 (IR); 2 (Dual light fusion)

Lens

Focal Length	5 mm–125 mm			
Max. Aperture	F1.6-F3.6			
Field of View	H: 53.1°-3.4°; V: 30.4°-1.9°; D: 59.3°-3.9°			
Optical Zoom	25 ×			
Focus Control	Auto; semi-auto; manual			
Close Focus Distance	0.1m-1.5 m (0.33 ft–4.92 ft)			
Iris Control	Auto; manual			
DORI Distance	Detect	Observe	Recognize	Identify
	3310 m (10859.58 ft)	1308 m (4291.34 ft)	662 m (2171.92 ft)	331 m (1085.96 ft)

PTZ

Pan/Tilt Range	Pan: 0° to 360° endless; Tilt: –15° to +90°, auto flip 180°
Manual Control Speed	Pan: 0.1°/s–200°/s; Tilt: 0.1°/s–120°/s
Preset Speed	Pan: 0.1°/s–240°/s; Tilt: 0.1°/s–200°/s
Preset	300
Tour	8 (up to 32 presets per tour)
Pattern	5
Scan	5
Power-off Memory	Yes
Idle Motion	Pattern; Preset; Scan; Tour

Intelligence

IVS (Perimeter Protection)	Tripwire; intrusion; crossing fence detection; loitering detection; abandoned/missing object; fast moving; parking detection; people gathering; linkage tracking
----------------------------	--

Face Detection	Supports face detection, optimization, capturing pictures, uploading high-quality face snapshots and enhancing face images. Attribute Extraction is also supported, where 6 attributes and 8 expressions can be detected. Face cutout is also offered, where you can cutout one face at a time and customize the size to be a one-inch photo. The supported methods for capturing snapshots are real-time capturing, quality first, and selecting a preferred image among a group of snapshots.
Auto Tracking	Yes
SMD	SMD4.0
Quick Pick	Yes

Active Deterrence

Light Warning	Red-blue light warning Flash duration: 5 s–30 s Flash frequency: high, medium, low
Sound Warning	Offers 11 types of sound alarms, and supports importing custom sound alarms.

Video

Video Compression	H.264H; H.264B; Smart H.265+; H.265; MJPEG (Sub Stream); Smart H.264+; H.264M
Streaming Capability	3 streams
Resolution	4K (3840 × 2160); 4M (2560 × 1440); 3M (2048 × 1536); 3M (2304 × 1296); 1080p (1920 × 1080); 1.3M (1280 × 960); 720p (1280 × 720); D1 (704 × 576/704 × 480); VGA (640 × 480); CIF (352 × 288/352 × 240)
Video Frame Rate	Main stream: 4K/4M/3M/1080p/1.3 M/720p@ (1–25/30 fps) Sub stream 1: D1/CIF/VGA@(1–25/30 fps) Sub stream 2: 1080p/1.3 MP/720p@(1–25/30 fps)
Bit Rate Control	CBR/VBR
Video Bit Rate	H264: 128 Kbps–16,384 Kbps H265: 128 Kbps–11,776 Kbps
Day/Night	Auto (ICR); Color/B/W
BLC	Yes
WDR	DWDR
HLC	Yes
White Balance	Auto; indoor; outdoor; tracking; manual; sodium lamp; natural light; street lamp
Gain Control	Auto; manual
Noise Reduction	2D NR; 3D NR
Motion Detection	Yes
Region of Interest (Rol)	Yes
Image Stabilization	Electronic (EIS)
Defog	Electronic
Digital Zoom	16×
Image Rotation	180°
Privacy Masking	Up to 24 areas can be set, with up to 8 areas in the same view; Multiple colors available
S/N Ratio	≥ 55 dB

Audio

Audio Compression	PCM; G.711a; G.711Mu; G.726; MPEG2-Layer2; G722.1; G729; G723
-------------------	---

Network

Network Port	RJ-45 (10/100 Base-T)
Network Protocol	FTP; RTMP; IPv6; Bonjour; IPv4; DNS; RTCP; PPPoE; NTP; RTP; 802.1x; HTTPS; SNMP; TCP/IP; DDNS; UPnP; NFS; ICMP; UDP; IGMP; HTTP; SSL; DHCP; SMTP; QoS; RTSP; ARP
Interoperability	ONVIF (Profile S & Profile G & Profile T); CGI; SDK; P2P
Streaming Method	Unicast/Multicast
User/Host	20 (total bandwidth: 64 M)
Storage	Micro SD card (512 GB); FTP/SFTP; NAS
Browser	IE 9 and later versions; Chrome 41 and later versions; Firefox 50 and later versions; Safari 10 and later versions
Management Software	DMSS; DSS Pro
Mobile Client	iOS; Android

Certification

Certifications	CE: EN55032/EN55024/EN50130-4 FCC: Part15 subpartB, ANSI C63.4-2014
----------------	--

Port

Audio Input	1 channel (LINE IN, bare wire)
Audio Output	1 channel (LINE OUT, bare wire; built-in speaker (mutually exclusive))
Alarm Input	2 (on-off value input: 0–5 VDC)
Alarm Output	1 channel
Alarm Linkage	Capture; recording; send email; preset; tour; pattern; alarm digital output; audio; warning light
Alarm Event	Motion/tampering detection; audio detection; network disconnection detection; IP conflict detection; memory card state detection; memory space detection

Power

Power Supply	12 VDC, 3 A ± 10%; PoE+ (802.3at)
Power Consumption	12 VDC: Basic: 8 W; Max: 16 W (white light + heated glass + PTZ on + alarm + red and blue light flashing) POE: Basic: 9 W; Max: 17 W (white light + heated glass + PTZ on + alarm + red and blue light flashing)

Environment

Operating Temperature	–40 °C to +65 °C (–40 °F to +149 °F)
Operating Humidity	≤ 95%
Protection	TVS 6000 V lightning proof; IP66; surge protection; voltage transient protection

Structure

Product Dimensions	269.9 mm × Φ160.0 mm (10.63" × Φ6.30")
--------------------	--

Net Weight	2.6 kg (5.73 lb)
Gross Weight	4 kg (8.82 lb)

Ordering Information

Type	Model	Description
8MP WizSense PTZ Camera	DH-SD4E825GB-HNR-A-PV1	8MP 25x Starlight IR WizSense Network PTZ Camera
	SD4E825GB-HNR-A-PV1	8MP 25x Starlight IR WizSense Network PTZ Camera
Accessories	PFB305W	Wall Mount Bracket
	DC12V/3A	Power Adapter
	PFA126	Mount Adapter
	PFA111	Mount Adapter
	PFB300C	Ceiling Mount Bracket
	PFB301C	Ceiling Mount Bracket
	PFA151	Corner Mount Bracket
	PFA150	Pole Mount Bracket
	PFB303S	Parapet Mount Bracket
	PFB301S-E	Plane Mount Bracket

Accessories

Included:



PFB305W
Wall Mount
Bracket

Optional:



DC12V/3A
Power Adapter



PFA126
Mount Adapter



PFA111
Junction Box



PFB300C
Ceiling Mount
Bracket



PFB301C
Ceiling Mount
Bracket



PFA151
Corner Mount
Bracket



PFA150
Pole Mount Bracket

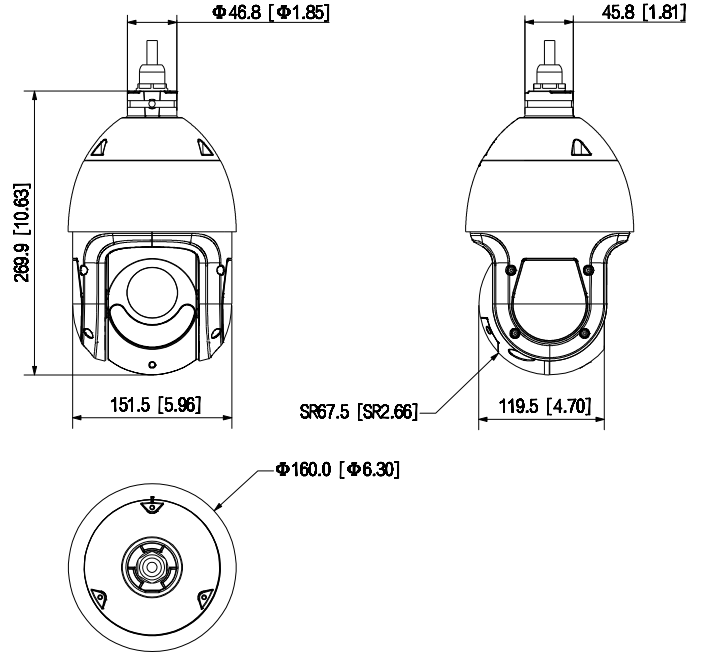


PFB303S
Parapet Mount
Bracket



PFB301S-E
Plane Mount Bracket

Dimensions (mm[inch])



Wall Mount	Ceiling Mount 1	Ceiling Mount 2
PFB305W+PFA126	PFA111+PFB300C	PFA111+PFB301C
Pole Mount (Vertical)	Corner Mount	Pole Mount (Horizontal)
PFB305W+PFA150	PFB305W+PFA151	PFA111+PFB300C+PFA150
Plane Mount	Parapet Mount	
PFB301S-E	PFA111+PFB303S	