

Купити це та інше охоронне обладнання можна на сайті [pipl.ua](http://pipl.ua). Оформити замовлення: [order@pipl.ua](mailto:order@pipl.ua)

## DS-2CD2063G2-I(U) 6 MP AcuSense Fixed Bullet Network Camera

### AcuSense



Empowered by deep learning algorithms, Hikvision AcuSense technology brings human and vehicle targets classification alarms to front- and back-end devices. The system focuses on human and vehicle targets, vastly improving alarm efficiency and effectiveness.

- High quality imaging with 6 MP resolution
- Efficient H.265+ compression technology
- Clear imaging against strong backlight due to 120 dB WDR technology
- Focusing on human and vehicle classification based on deep learning
- -U: Built-in microphone for real-time audio security
- Water and dust resistant (IP67)



**▪ Specification**

| <b>Camera</b>          |   |
|------------------------|---|
| Image Sensor           | 1/2.8" Progressive Scan CMOS  |
| Min. Illumination      | Color: 0.005 Lux @ (F1.6, AGC ON), B/W: 0 Lux with IR   |
| Shutter Speed          | 1/3 s to 1/100,000 s  |
| Slow Shutter           | Yes   |
| P/N                    | P/N   |
| Wide Dynamic Range     | 120 dB  |
| Day & Night            | IR cut filter   |
| Angle Adjustment       | Pan: 0° to 360°, tilt: 0° to 90°, rotate: 0° to 360°  |
| <b>Lens</b>            |   |
| Lens Type              | Fixed focal lens, 2.8, 4, and 6 mm optional   |
| Focal Length & FOV     | 2.8 mm, horizontal FOV 107°, vertical FOV 57°, diagonal FOV 128°<br>4 mm, horizontal FOV 87°, vertical FOV 46°, diagonal FOV 105°<br>6 mm, horizontal FOV 54°, vertical FOV 29°, diagonal FOV 63° |
| Lens Mount             | M12   |
| Iris Type              | Fixed   |
| Aperture               | F1.6  |
| <b>DORI</b>            |   |
| DORI                   | 2.8 mm: D: 73 m, O: 29 m, R: 15 m, I: 7 m<br>4 mm: D: 90 m, O: 35 m, R: 18 m, I: 9 m<br>6 mm: D: 147 m, O: 58 m, R: 29 m, I: 15 m   |
| <b>Illuminator</b>     |   |
| Supplement Light Type  | IR  |
| Smart Supplement Light | Yes   |
| IR Wavelength          | 850 nm  |
| IR Range               | Up to 40 m  |
| <b>Video</b>           |   |
| Max. Resolution        | 3200 × 1800   |
| Main Stream            | 50 Hz: 20 fps (3200 × 1800)<br>25 fps (2688 × 1520, 1920 × 1080, 1280 × 720)<br>60 Hz: 20 fps (3200 × 1800)<br>30 fps (2688 × 1520, 1920 × 1080, 1280 × 720)                                      |
| Sub-Stream             | 50 Hz: 25 fps (640 × 480, 640 × 360)<br>60 Hz: 30 fps (640 × 480, 640 × 360)  |
| Third Stream           | 50 Hz: 10 fps (1920 × 1080, 1280 × 720, 640 × 480, 640 × 360)<br>60 Hz: 10 fps (1920 × 1080, 1280 × 720, 640 × 480, 640 × 360)<br>*Third stream is supported under certain settings.              |
| Video Compression      | Main stream: H.265/H.264/H.264+/H.265+<br>Sub-stream: H.265/H.264/MJPEG<br>Third stream: H.265/H.264<br>*Third stream is supported under certain settings.  |
| Video Bit Rate         | 32 Kbps to 16 Mbps  |
| H.264 Type             | Baseline Profile/Main Profile/High Profile  |

|                               |  |
|-------------------------------|--|
| H.265 Type                    | Main Profile   |
| H.264+                        | Main stream supports   |
| H.265+                        | Main stream supports   |
| Bit Rate Control              | CBR/VBR  |
| Scalable Video Coding (SVC)   | H.264 and H.265 encoding   |
| Region of Interest (ROI)      | 1 fixed region for main stream and sub-stream  |
| <b>Audio</b>                  |  |
| Audio Compression             | -U: G.711ulaw/G.711alaw/G.722.1/G.726/MP2L2/PCM/MP3/AAC  |
| Audio Bit Rate                | -U: 64 Kbps (G.711ulaw/G.711alaw)/16 Kbps (G.722.1)/16 Kbps (G.726)/16 Kbps to 64 Kbps (AAC)/32 to 192 Kbps (MP2L2)/8 to 320 Kbps (MP3)  |
| Audio Sampling Rate           | -U: 8 kHz/16 kHz/32 kHz/44.1 kHz/48 kHz  |
| Environment Noise Filtering   | -U: Yes  |
| <b>Network</b>                |  |
| Protocols                     | TCP/IP, ICMP, HTTP, HTTPS, FTP, DHCP, DNS, DDNS, RTP, RTSP, NTP, UPnP, SMTP, IGMP, 802.1X, QoS, IPv4, IPv6, UDP, Bonjour, SSL/TLS, PPPoE, SNMP   |
| Simultaneous Live View        | Up to 6 channels   |
| API                           | Open Network Video Interface (Profile S, Profile G), ISAPI, SDK  |
| User/Host                     | Up to 32 users. 3 user levels: administrator, operator and user  |
| Security                      | Password protection, complicated password, HTTPS encryption, IP address filter, Security Audit Log, basic and digest authentication for HTTP/HTTPS, TLS 1.1/1.2, WSSE and digest authentication for Open Network Video Interface |
| Network Storage               | NAS (NFS, SMB/CIFS), auto network replenishment (ANR)  |
| Client                        | iVMS-4200, Hik-Connect, Hik-Central  |
| Web Browser                   | Plug-in required live view: IE 10, IE 11<br>Plug-in free live view : Chrome 57.0+, Firefox 52.0+<br>Local service: Chrome 57.0+, Firefox 52.0+   |
| <b>Image</b>                  |  |
| Image Parameters Switch       | Yes  |
| Image Settings                | Rotate, mirror, privacy mask, saturation, brightness, contrast, sharpness, gain, white balance adjustable by client software or web browser  |
| Day/Night Switch              | Day, Night, Auto, Schedule   |
| Image Enhancement             | BLC, HLC, 3D DNR   |
| SNR                           | ≥ 52 dB  |
| <b>Interface</b>              |  |
| Ethernet Interface            | 1 RJ45 10 M/100 M self-adaptive Ethernet port  |
| On-Board Storage              | Built-in memory card slot, support microSD card, up to 256 GB  |
| Built-in Microphone           | -U: Yes  |
| Hardware Reset                | Yes  |
| <b>Event</b>                  |  |
| Basic Event                   | Motion detection (human and vehicle targets classification), video tampering alarm, exception  |
| Face Detection                | Yes  |
| <b>Deep Learning Function</b> |  |
| Perimeter Protection          | Line crossing detection, intrusion detection<br>Supports human and vehicle targets classification  |

| <b>General</b>                   |   |
|----------------------------------|---|
| Linkage Method                   | Upload to FTP/memory card/NAS, notify surveillance center, trigger recording, trigger capture, send email   |
| Camera Material                  | Aluminum alloy body<br>IR cover: plastic  |
| Camera Dimension                 | Ø70 mm × 161.7 mm (Ø2.8" × 6.4")  |
| Package Dimension                | 216 mm × 121 mm × 118 mm (8.6" × 4.8" × 4.7")   |
| Camera Weight                    | Approx. 485 g (1.1 lb.)   |
| With Package Weight              | Approx. 744 g (1.6 lb.)   |
| Storage Conditions               | -30 °C to 60 °C (-22 °F to 140 °F). Humidity 95% or less (non-condensing)   |
| Startup and Operating Conditions | -30 °C to 60 °C (-22 °F to 140 °F). Humidity 95% or less (non-condensing)   |
| Web Client Language              | 33 languages<br>English, Russian, Estonian, Bulgarian, Hungarian, Greek, German, Italian, Czech, Slovak, French, Polish, Dutch, Portuguese, Spanish, Romanian, Danish, Swedish, Norwegian, Finnish, Croatian, Slovenian, Serbian, Turkish, Korean, Traditional Chinese, Thai, Vietnamese, Japanese, Latvian, Lithuanian, Portuguese (Brazil), Ukrainian |
| General Function                 | Anti-flicker, heartbeat, password reset via email, pixel counter  |
| Firmware Version                 | V5.5.113  |
| Software Reset                   | Yes   |
| Power Consumption and Current    | 12 VDC, 0.5 A, max. 6 W<br>PoE (802.3af, 36 V to 57 V), 0.2 A to 0.13 A, max. 7.2 W   |
| Power Supply                     | 12 VDC ± 25%, reverse polarity protection<br>PoE: 802.3af, Class 3  |
| Power Interface                  | Ø5.5 mm coaxial power plug  |
| <b>Approval</b>                  |   |
| EMC                              | FCC (47 CFR Part 15, Subpart B); CE-EMC (EN 55032: 2015, EN 61000-3-2: 2014, EN 61000-3-3: 2013, EN 50130-4: 2011 +A1: 2014); RCM (AS/NZS CISPR 32: 2015); IC (ICES-003: Issue 6, 2016); KC (KN 32: 2015, KN 35: 2015)  |
| Safety                           | UL (UL 60950-1); CB (IEC 60950-1:2005 + Am 1:2009 + Am 2:2013); CE-LVD (EN 60950-1:2005 + Am 1:2009 + Am 2:2013); BIS (IS 13252(Part 1):2010+A1:2013+A2:2015)   |
| Environment                      | CE-RoHS (2011/65/EU); WEEE (2012/19/EU); Reach (Regulation (EC) No 1907/2006)   |
| Protection                       | IP67 (IEC 60529-2013)   |

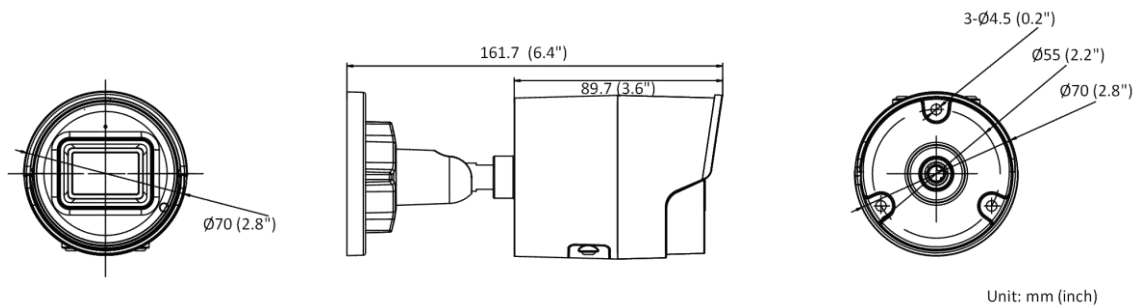
#### ▪ Available Model

DS-2CD2063G2-I (2.8/4/6 mm)

DS-2CD2063G2-IU (2.8/4/6 mm)

DS-2CD2063G2-IU (2.8 mm) (Black)

## Dimension



## Accessory

### Optional

| DS-1280ZJ-XS<br>Junction Box   | DS-1280ZJ-XS (Black)<br>Junction Box  |
|--|---|
|  |  |

Distributed by



## HIKVISION

### Headquarters

No.555 Qianmo Road, Binjiang District,  
Hangzhou 310051, China  
T +86-571-8807-5998  
[overseasbusiness@hikvision.com](mailto:overseasbusiness@hikvision.com)

**Hikvision USA**  
T +1-909-895-0400  
[sales.usa@hikvision.com](mailto:sales.usa@hikvision.com)

**Hikvision Australia**  
T +61-2-8599-4233  
[salesau@hikvision.com](mailto:salesau@hikvision.com)

**Hikvision India**  
T +91-22-28469900  
[sales@pramahikvision.com](mailto:sales@pramahikvision.com)

**Hikvision Canada**  
T +1-866-200-6690  
[sales.canada@hikvision.com](mailto:sales.canada@hikvision.com)

**Hikvision Thailand**  
T +662-275-9949  
[sales.thailand@hikvision.com](mailto:sales.thailand@hikvision.com)

**Hikvision Europe**  
T +31-23-5542770  
[sales.eu@hikvision.com](mailto:sales.eu@hikvision.com)

**Hikvision Italy**  
T +39-0438-6902  
[info.it@hikvision.com](mailto:info.it@hikvision.com)

**Hikvision Brazil**  
T +55 11 3318-0950  
[Latam.support@hikvision.com](mailto:Latam.support@hikvision.com)

**Hikvision Turkey**  
T +90 (216)521 7070- 7074  
[sales.tr@hikvision.com](mailto:sales.tr@hikvision.com)

**Hikvision Malaysia**  
T +601-7652-2413  
[sales.my@hikvision.com](mailto:sales.my@hikvision.com)

**Hikvision UK & Ireland**  
T +01628-902140  
[sales.uk@hikvision.com](mailto:sales.uk@hikvision.com)

**Hikvision South Africa**  
Tel: +27 (10) 0351172  
[sale.africa@hikvision.com](mailto:sale.africa@hikvision.com)

**Hikvision France**  
T +33(0)1-85-330-450  
[info.fr@hikvision.com](mailto:info.fr@hikvision.com)

**Hikvision Kazakhstan**  
T +7-727-9730667  
[nikia.panfilov@hikvision.ru](mailto:nikia.panfilov@hikvision.ru)

**Hikvision Vietnam**  
T +84-974270888  
[sales.vt@hikvision.com](mailto:sales.vt@hikvision.com)

**Hikvision UAE**  
T +971-4-4432090  
[salesme@hikvision.com](mailto:salesme@hikvision.com)

**Hikvision Singapore**  
T +65-6684-4718  
[sg@hikvision.com](mailto:sg@hikvision.com)

**Hikvision Spain**  
T +34-91-737-16-55  
[info.es@hikvision.com](mailto:info.es@hikvision.com)

**Hikvision Tashkent**  
T +99-87-1238-9438  
[uzb@hikvision.ru](mailto:uzb@hikvision.ru)

**Hikvision Hong Kong**  
T +852-2151-1761  
[info.hk@hikvision.com](mailto:info.hk@hikvision.com)

**Hikvision Russia**  
T +7-495-669-67-99  
[saleru@hikvision.com](mailto:saleru@hikvision.com)

**Hikvision Korea**  
T +82-(0)31-731-8817  
[sales.korea@hikvision.com](mailto:sales.korea@hikvision.com)

**Hikvision Poland**  
T +48-22-460-01-50  
[info.pl@hikvision.com](mailto:info.pl@hikvision.com)

**Hikvision Indonesia**  
T +62-21-2933758  
[Sales.Indonesia@hikvision.com](mailto:Sales.Indonesia@hikvision.com)

**Hikvision Colombia**  
[sales.colombia@hikvision.com](mailto:sales.colombia@hikvision.com)